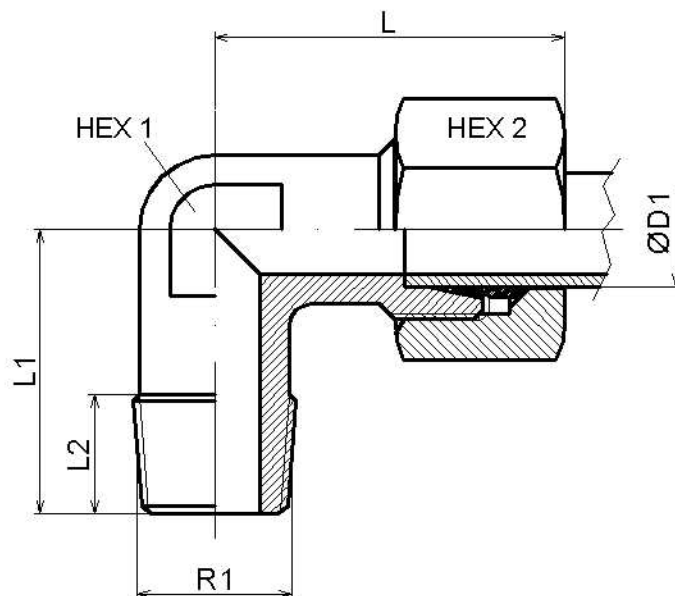


Racores DIN 2353

Codos tubo-rosca

Racor en codo rosca cónica BSPT**FLUIDAL**

Acero Inoxidable AISI 316-L

1/2

Artículo	ØD1	Serie	R1	Presión de trabajo (bar)	L	L1	L2	HEX 1	HEX 2
Z CKLL 6 R 1/8	6	LL	1/8" BSPT	100					
Z CKL 6 R 1/8	6	L	1/8" BSPT	315	27	20	10	12	14
Z CKL 6 R 1/4	6	L	1/4" BSPT	315	29	26	12	12	14
Z CKL 8 R 1/8	8	L	1/8" BSPT	315	29	26	8	12	17
Z CKL 8 R 1/4	8	L	1/4" BSPT	315	29	26	12	12	17
Z CKL 8 R 3/8	8	L	3/8" BSPT	315	34	28	12	17	17
Z CKL 8 R 1/2	8	L	1/2" BSPT	315					
Z CKL 10 R 1/8	10	L	1/8" BSPT	315					
Z CKL 10 R 1/4	10	L	1/4" BSPT	315	30	27	12	14	19
Z CKL 10 R 3/8	10	L	3/8" BSPT	315	32	28	12	17	19
Z CKL 10 R 1/2	10	L	1/2" BSPT	315					
Z CKL 12 R 1/4	12	L	1/4" BSPT	315	32	28	12	17	22
Z CKL 12 R 3/8	12	L	3/8" BSPT	315	32	28	12	17	22
Z CKL 12 R 1/2	12	L	1/2" BSPT	315	38	34	14	19	22
Z CKL 15 R 3/8	15	L	3/8" BSPT	315	36	34	12	19	27
Z CKL 15 R 1/2	15	L	1/2" BSPT	315	36	34	14	19	27
Z CKL 18 R 1/2	18	L	1/2" BSPT	315	40	36	14	24	32
Z CKL 22 R 3/4	22	L	3/4" BSPT	160	44	42	16	27	36
Z CKL 28 R 1	28	L	1" BSPT	160	47	48	18	36	41
Z CKL 35 R 1 1/4	35	L	1"1/4 BSPT	160	56	54	25	41	50
Z CKL 42 R 1 1/2	42	L	1"1/2 BSPT	160	63	61	22	50	60
Z CKS 6 R 1/4	6	S	1/4" BSPT	400	31	26	12	12	17
Z CKS 8 R 1/4	8	S	1/4" BSPT	400	32	27	12	14	19
Z CKS 8 R 3/8	8	S	3/8" BSPT	630					
Z CKS 8 R 1/2	8	S	1/2" BSPT	400					
Z CKS 10 R 1/4	10	S	1/4" BSPT	400					
Z CKS 10 R 3/8	10	S	3/8" BSPT	400	34	28	12	17	22

Racores DIN 2353

Codos tubo-rosca

Racor en codo rosca cónica BSPT

Acero Inoxidable AISI 316-L

2/2

Artículo	ØD1	Serie	R1	Presión de trabajo (bar)	L	L1	L2	HEX 1	HEX 2
Z CKS 10 R 1/2	10	S	1/2" BSPT	630					
Z CKS 12 R 3/8	12	S	3/8" BSPT	400	38	28	12	17	24
Z CKS 14 R 1/2	14	S	1/2" BSPT	400	40	32	14	19	27
Z CKS 16 R 1/2	16	S	1/2" BSPT	400	43	32	14	24	30
Z CKS 20 R 3/4	20	S	3/4" BSPT	400	48	42	16	27	36
Z CKS 25 R 1	25	S	1" BSPT	250	54	48	18	36	46
Z CKS 30 R 1 1/4	30	S	1"1/4 BSPT	160	62	54	25	41	50
Z CKS 38 R 1 1/2	38	S	1"1/2 BSPT	160	72	61	22	50	60